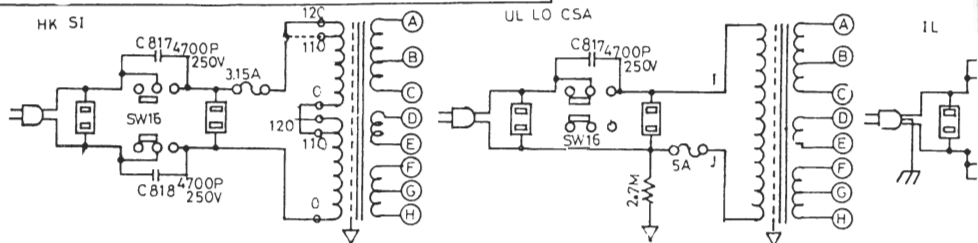
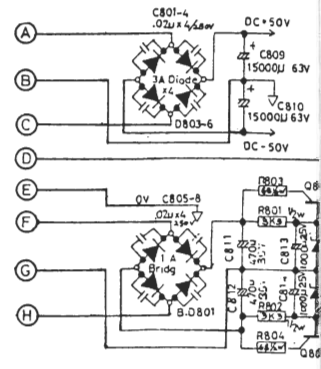
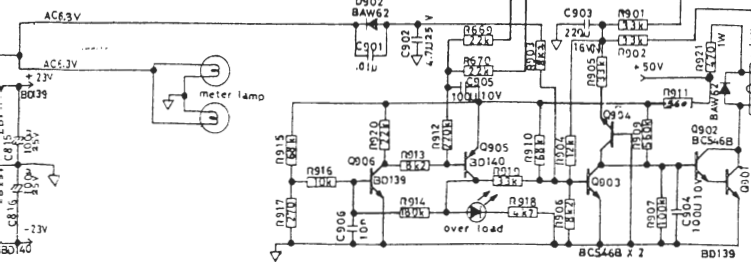
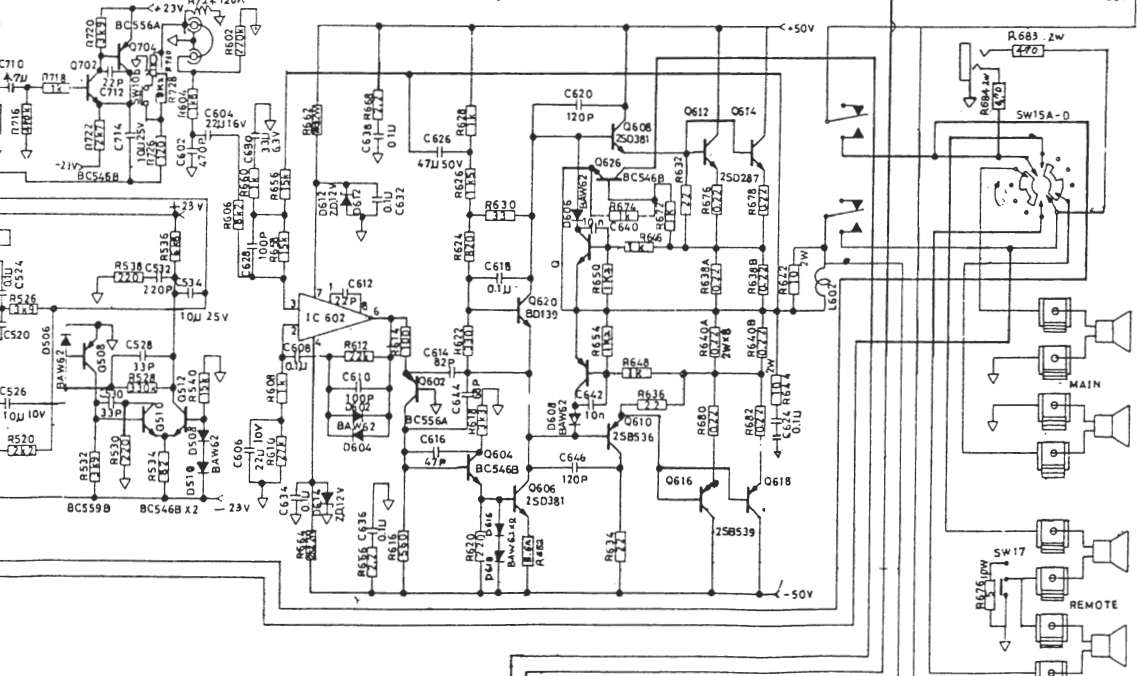
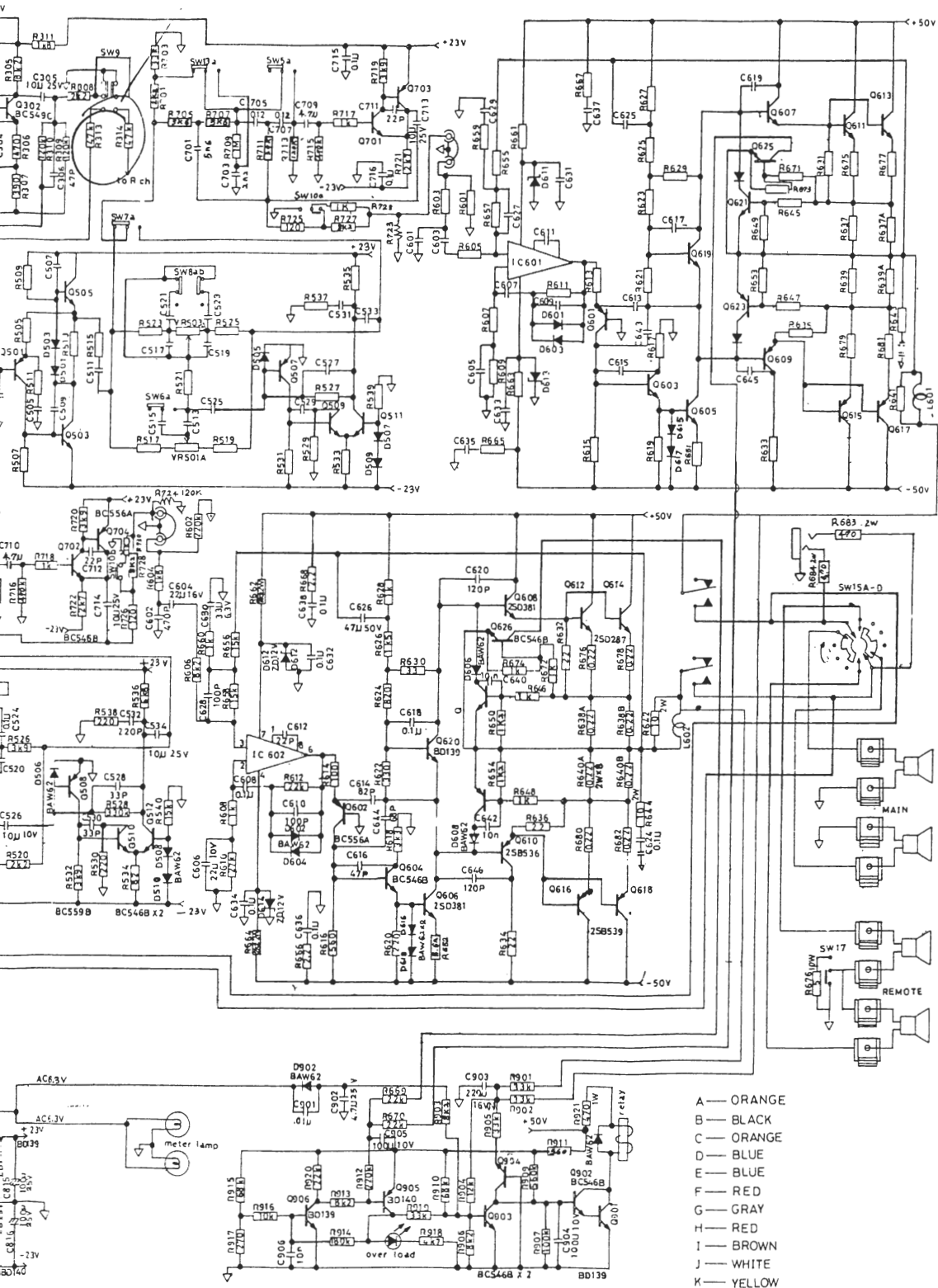


- | | | | |
|-------------|----------------------|----------|-------------------|
| SW1 a b c d | Function Sw | SW10 a b | Audio Mute Sw |
| SW2 a b | Tape 1 Sw | SW11 | Mono/Stereo Sw |
| SW3 a b | Tape 2 Sw | SW12 a b | Loudness Sw |
| SW4 a b c d | Tape Copy Sw | SW13 a b | Hi-Filter Sw |
| SW5 a b | Infrasonic In/Out Sw | SW14 a b | BW/BOW Meter Sw |
| SW6 a b | 25/5 Hz Sw | SW15 a-d | Speaker Sw |
| SW7 a b | Tone In/Out Sw | SW16 | Power Sw |
| SW8 a b c d | 500/250 Hz Sw | SW17 | Stereo/Ambient Sw |
| SW9 | Mic In Sw (Pull) | | |

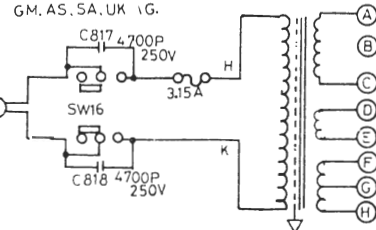
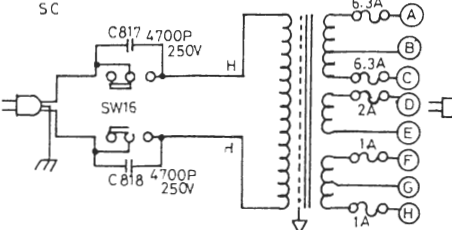
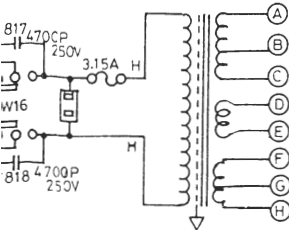


CIRCUIT DIAGRAM

202



- A — ORANGE
- B — BLACK
- C — ORANGE
- D — BLUE
- E — BLUE
- F — RED
- G — GRAY
- H — RED
- I — BROWN
- J — WHITE
- K — YELLOW



GM. AS. SA. UK 1G.